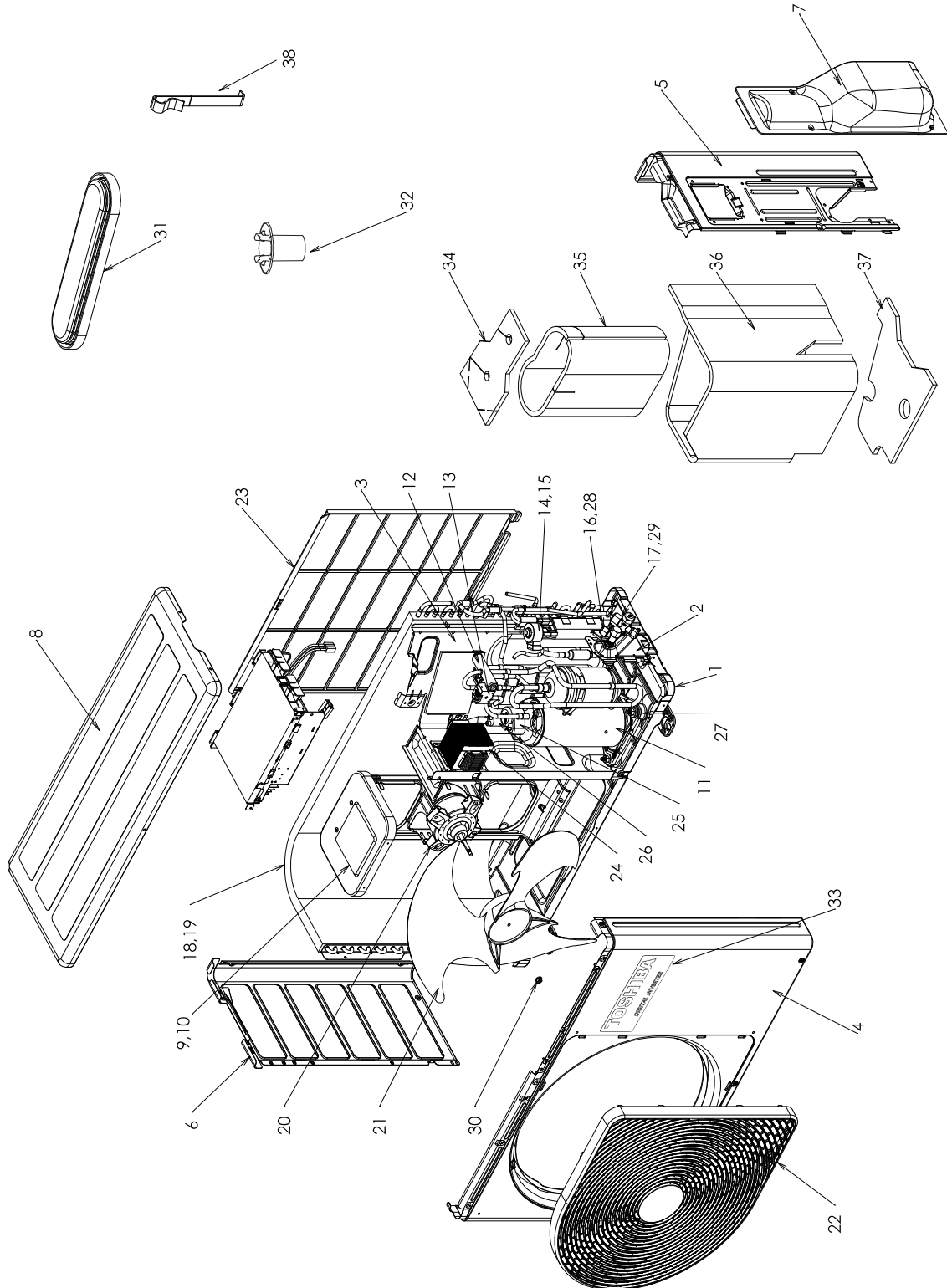


13. EXPLODED VIEWS AND PARTS LIST

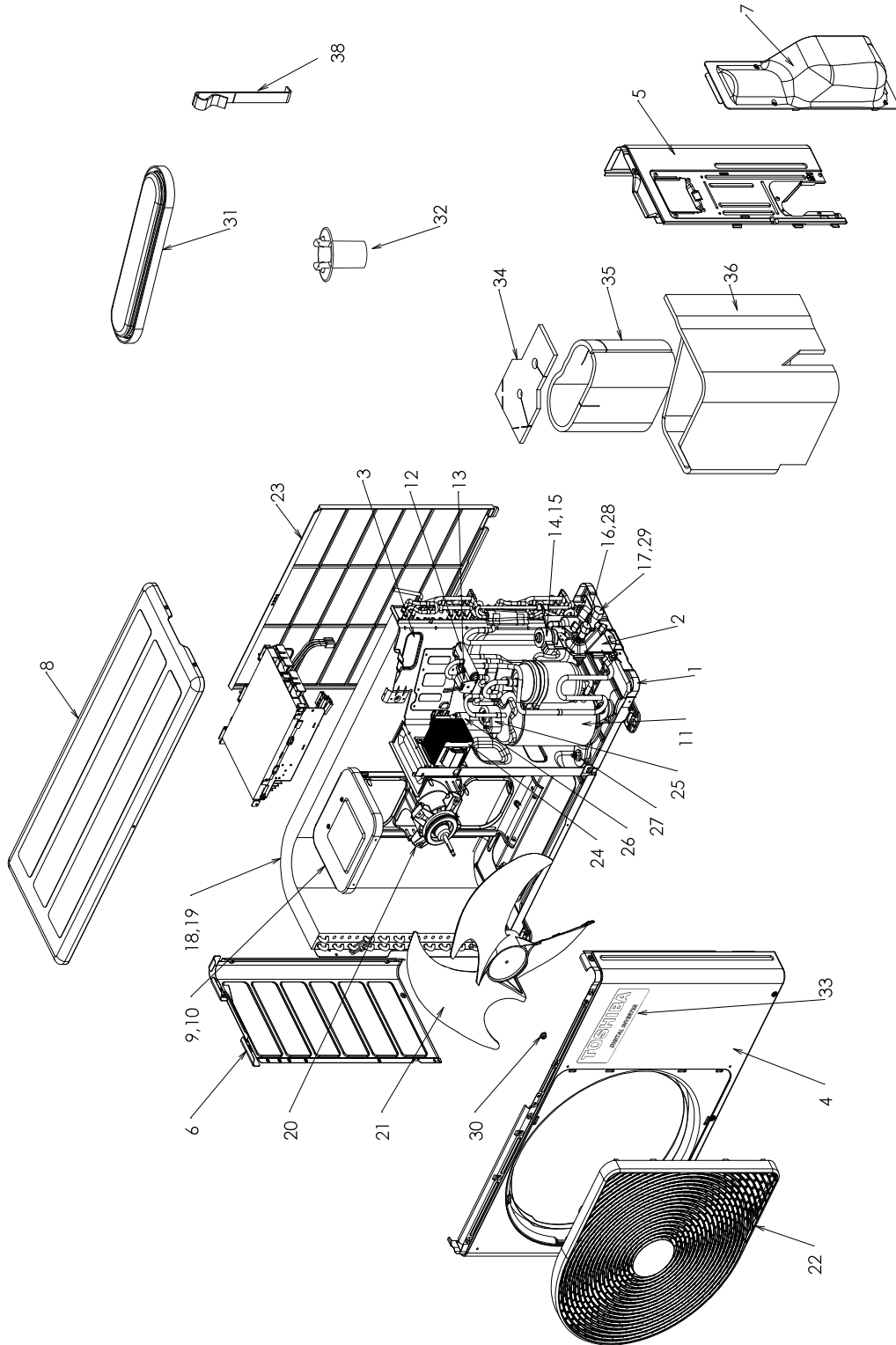
13-1. Outdoor Unit

RAV-GM302ATP-E



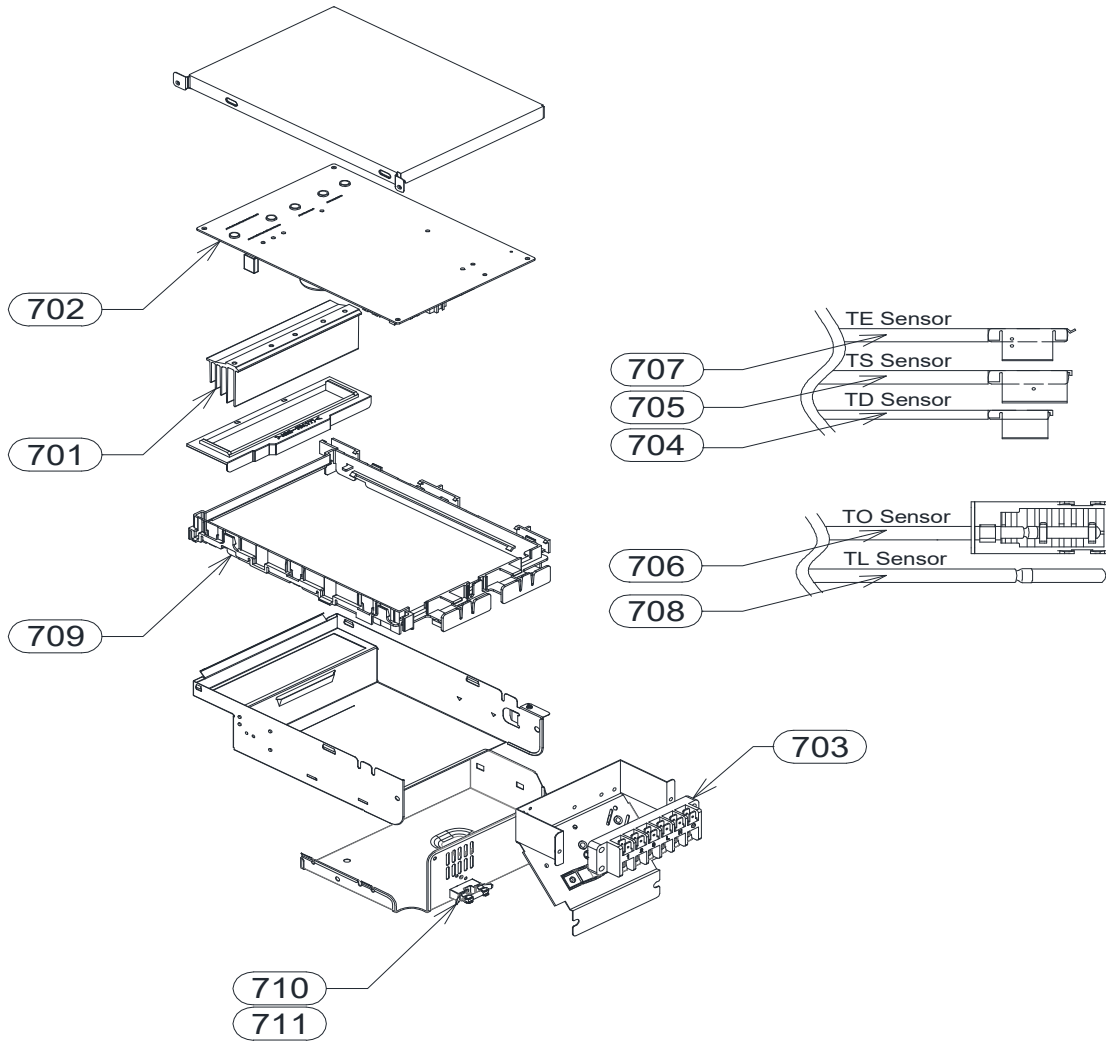
Location No.	Part No.	Description	Model name
			RAV-GM302ATP-E
1	43T42387	BASE COATING ASSEMBLY	1
2	43T00653	ASM-COAT-P-F-PV	1
3	43T00742	PARTITION ASSEMBLY	1
4	43T00605	ASM-CABI-F-S	1
5	43T00743	RIGHT CABINET ASSEMBLY	1
6	43T00602	ASM-COAT-C-S-L	1
7	43T19352	ASM-COVER-PV	1
8	43T00604	ASM-COAT-CABI-U	1
9	43T39348	ASM-M-BASE	1
11	43T41521	COMPRESSOR	1
12	43T46367	4 WAY VALVE	1
13	43T63327	COIL-4WAY	1
14	43T46469	BODY PMV	1
15	43T63360	COIL PMV	1
16	43T46435	VALVE; PACKED 6.35 DIA	1
17	43T46503	VALVE ; PACKED 9.52 DIA	1
18	43T43559	CONDENSER ASSEMBLY	1
20	43T21460	MOTOR FAN	1
21	43T20365	PROPELLER FAN	1
22	43T19364	FAN GUARD	1
23	43T19331	FIN GUARD	1
24	43T58309	REACTOR	1
25	43T60420	ASM-COMP-LEAD	1
26	43T63369	SWITCH, PRESSURE	1
27	43T49327	CUSHION,RUBBER	3
28	43T47403	BONNET, 6.35 DIA	1
29	43T47404	BONNET, 9.52 DIA	1
30	43T39346	NUT FLANGE	1
31	43089160	CAP, WATERPROOF	2
32	43T79324	DRAIN NIPPLE	1
33	43T01340	MARK-T (DI)	1
34	43T04416	SOUND INSULATION(UP)	1
35	43T04355	SOUND INSULATION(IS)	1
36	43T04332	SOUND INSULATION(OUT)	1
37	43T04356	SOUND INSULATION(DN)	1
38	43T19333	HOLDER, SENSOR	1

RAV-GM402ATP-E



Location No.	Part No.	Description	Model name
			RAV-GM402ATP-E
1	43T42387	BASE COATING ASSEMBLY	1
2	43T00653	ASM-COAT-P-F-PV	1
3	43T00742	PARTITION ASSEMBLY	1
4	43T00605	ASM-CABI-F-S	1
5	43T00743	RIGHT CABINET ASSEMBLY	1
6	43T00602	ASM-COAT-C-S-L	1
7	43T19352	ASM-COVER-PV	1
8	43T00604	ASM-COAT-CABI-U	1
9	43T39348	ASM-M-BASE	1
11	43T41522	COMPRESSOR	1
12	43T46367	4 WAY VALVE	1
13	43T63327	COIL-4WAY	1
14	43T46469	BODY PMV	1
15	43T63360	COIL PMV	1
16	43T46435	VALVE; PACKED 6.35 DIA	1
17	43T46461	VALVE; PACKED 12.7 DIA	1
18	43T43561	CONDENSER ASSEMBLY	1
20	43T21460	MOTOR FAN	1
21	43T20365	PROPELLER FAN	1
22	43T19364	FAN GUARD	1
23	43T19331	FIN GUARD	1
24	43T58309	REACTOR	1
25	43T60420	ASM-COMP-LEAD	1
26	43T63369	SWITCH, PRESSURE	1
27	43T49327	CUSHION,RUBBER	3
28	43T47403	BONNET, 6.35 DIA	1
29	43T47405	BONNET, 12.7 DIA	1
30	43T39346	NUT FLANGE	1
31	43089160	CAP, WATERPROOF	2
32	43T79324	DRAIN NIPPLE	1
33	43T01340	MARK-T (DI)	1
34	43T04416	SOUND INSULATION(UP)	1
35	43T04355	SOUND INSULATION(IS)	1
36	43T04332	SOUND INSULATION(OUT)	1
38	43T19333	HOLDER, SENSOR	1

< Inverter assembly >



Location No.	Part No.	Description	Model name	
			RAV-GM302ATP-E	RAV-GM402ATP-E
701	43T62351	HEATSINK	1	1
702	43TN9670	PC BOARD ASSY (WP-030)	1	-
702	43TN9671	PC BOARD ASSY (WP-030)	-	1
703	43T60384	TERMINAL-6P	1	1
704	43T50369	TEMPERATURE SENSOR	1	1
705	43T50412	TC-SENSOR	1	1
706	43T50417	TEMPERATURE SENSOR, TO	1	1
707	43T50371	TEMPERATURE SENSOR	1	1
708	43T50335	TEMPERATURE SENSOR	1	1
709	43T62313	PC PLATE BASE	1	1
710	43T60463	FUSE(FJL)	1	1
711	43T60564	HOLDER-FUSE	1	1