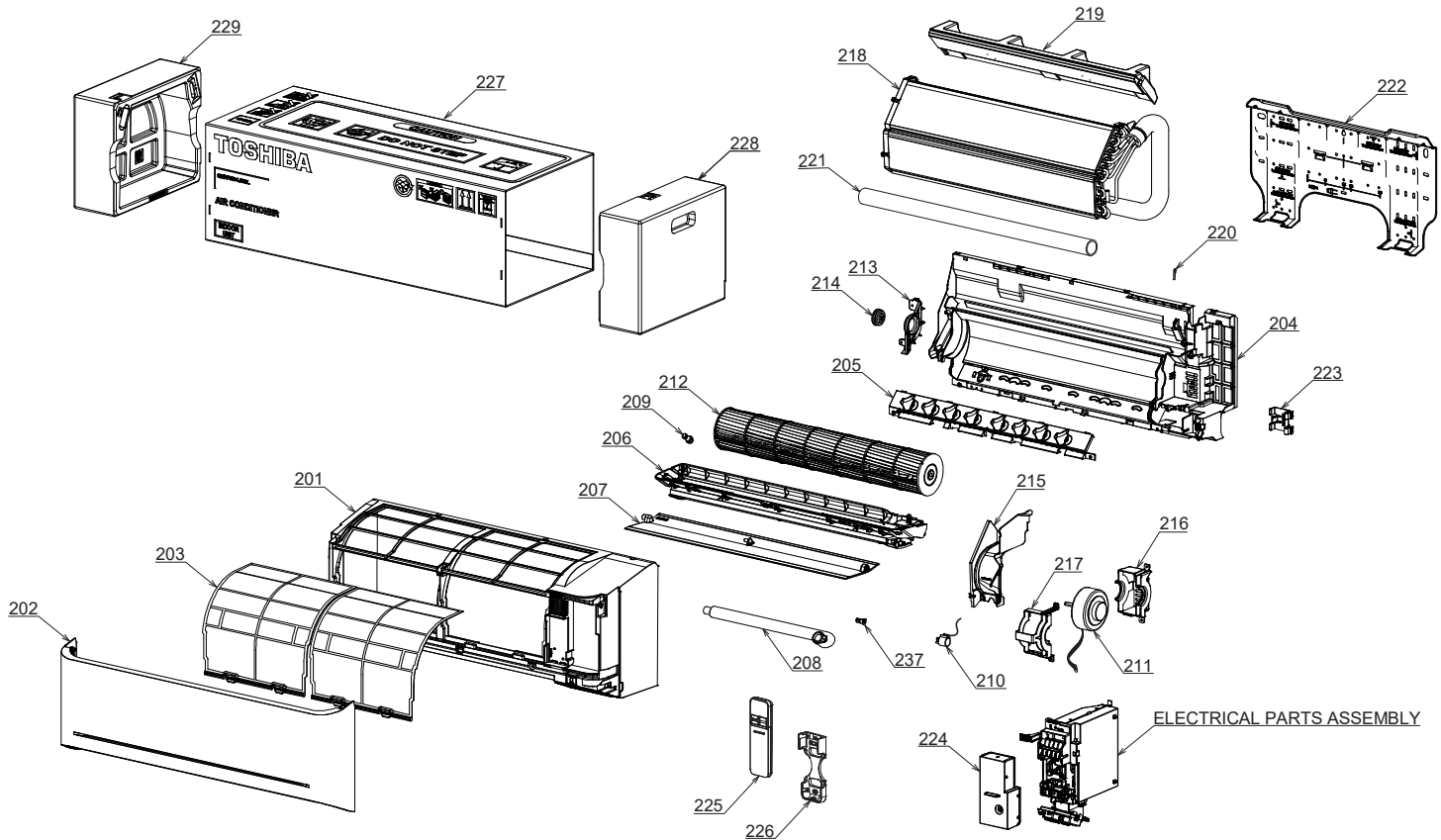


13. EXPLODED VIEWS AND PARTS LIST

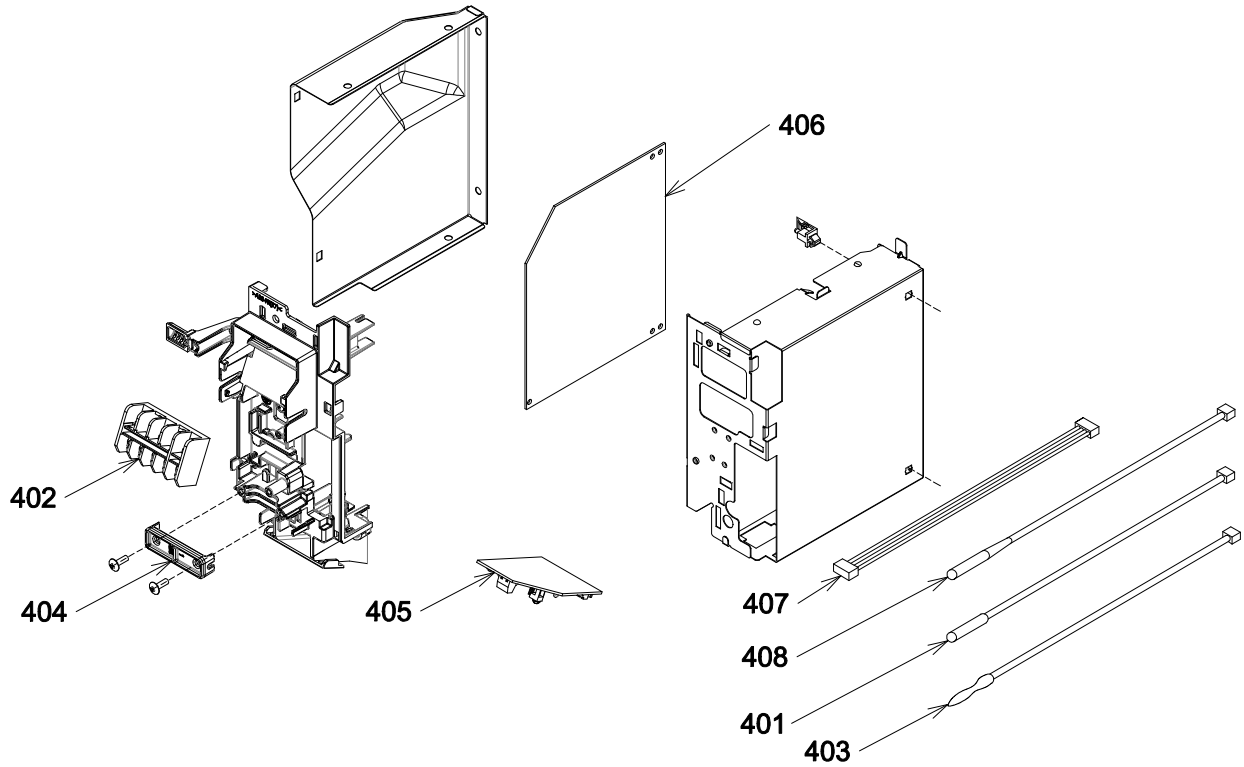
13-1. Indoor Unit

RAS-B05,07,10,13E2KVG-E



Location No.	Part No.	Description	Location No.	Part No.	Description
201	43T00865	FRONT PANEL ASSY	218	43T44764	REFRIGERANT CYCLE ASSEMBLY (FOR RAS-B05,07E2KVG-E)
202	43T09612	GRILLE OF AIR INLET ASSY	218	43T44765	REFRIGERANT CYCLE ASSEMBLY (FOR RAS-B10,13E2KVG-E)
203	43T80368	AIR FILTER	219	43T39446	EVAPORATOR HINS SEAL (FOR RAS-B05,07E2KVG-E)
204	43T03426	BACK BODY ASSY	220	43T19333	HOLDER, SENSOR
205	43T22389	VERTICAL LOUVER ASSY	221	43T11321	PIPE-SHIELD
206	43T72381	DRAIN PAN ASSY	222	43T82349	PLATE, INSTALLATION
207	43T22388	HORIZONTAL LOUVER	223	43T49368	PIPE HOLDER
208	43T70321	DRAIN HOSE	224	43T62360	TERMINAL COVER ASSY
209	43T79322	DRAIN CAP	225	43T66433	WIRELESS REMOCO (WH-TG01NE)
210	43T21434	STEPPING-MOTOR	226	43T83305	HOLDER, REMOTE CONTROL
211	43T21488	MOTOR FAN	227	43T91417	PACKING SLEEVE
212	43T20367	CROSS FLOW FAN ASSY	228	43T91418	PACKING CUSHION RIGHT
213	43T39445	BASE BEARING	229	43T91419	PACKING CUSHION LEFT
214	43T22312	BEARING ASSY, MOLD	237	43125202	COVER-AXIS
215	43T39444	MOTOR COVER			
216	43T39443	MOTOR BAND BACK ASSY			
217	43T39369	MOTOR BAND FRONT			

13-2. Indoor Unit (Part-E)



Location No.	Part No.	Description	Location No.	Part No.	Description
401	43T50394	TEMPERATURE SENSOR	406	43TN9506	PC BOARD (WP-048) (FOR RAS-B13E2KVG-E)
402	43T6V673	TERMINAL(5P-TF)	406	43TN9508	PC BOARD (WP-048) (FOR RAS-B16E2KVG-E)
403	43T50392	SENSOR,THERMOSTAT	406	43TN9510	PC BOARD (WP-048) (FOR RAS-18E2KVG-E)
404	43T62340	CORD-CLAMP	407	43T60502	HOUSING-WiFi
405	43T6W440	PC BOARD ASSY:WRS-LED	408	43T50603	TEMPERATURE SENSOR (FOR RAS-B05,07,10,13,16E2KVG-E)
406	43TN9500	PC BOARD (WP-048) (FOR RAS-B05E2KVG-E)			
406	43TN9502	PC BOARD (WP-048) (FOR RAS-B07E2KVG-E)			
406	43TN9504	PC BOARD (WP-048) (FOR RAS-B10E2KVG-E)			