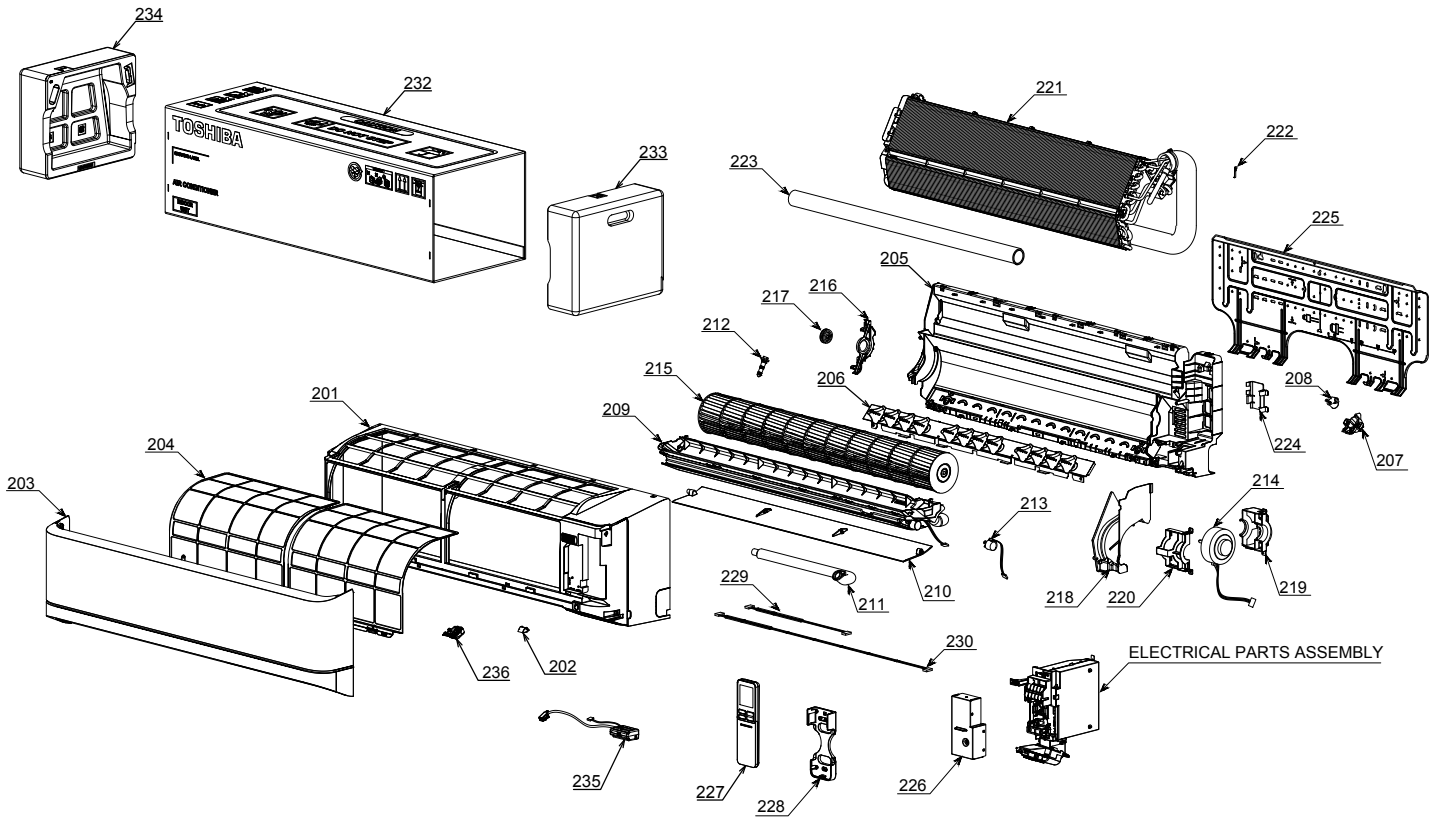


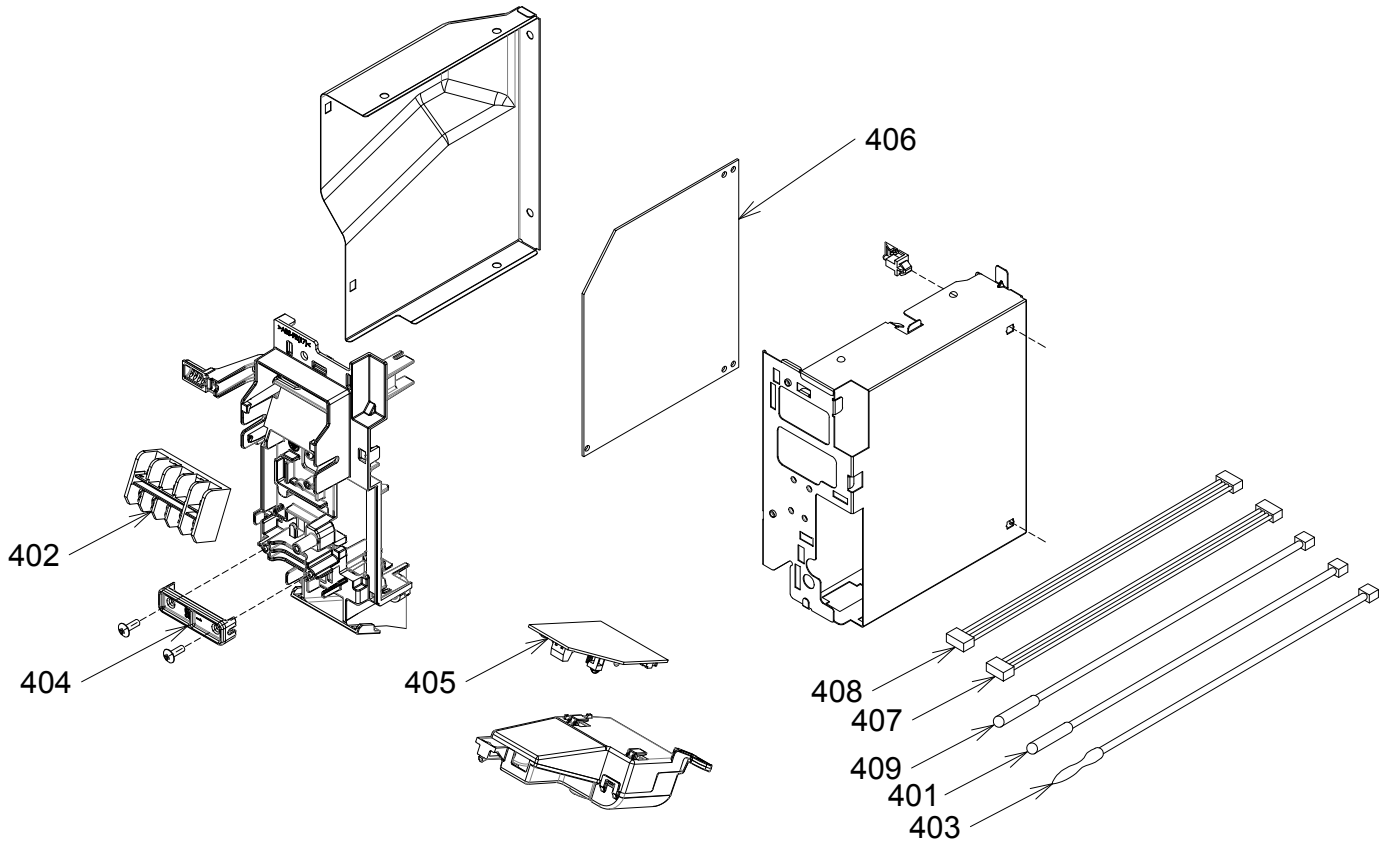
13. EXPLODED VIEWS AND PARTS LIST

13-1. Indoor Unit



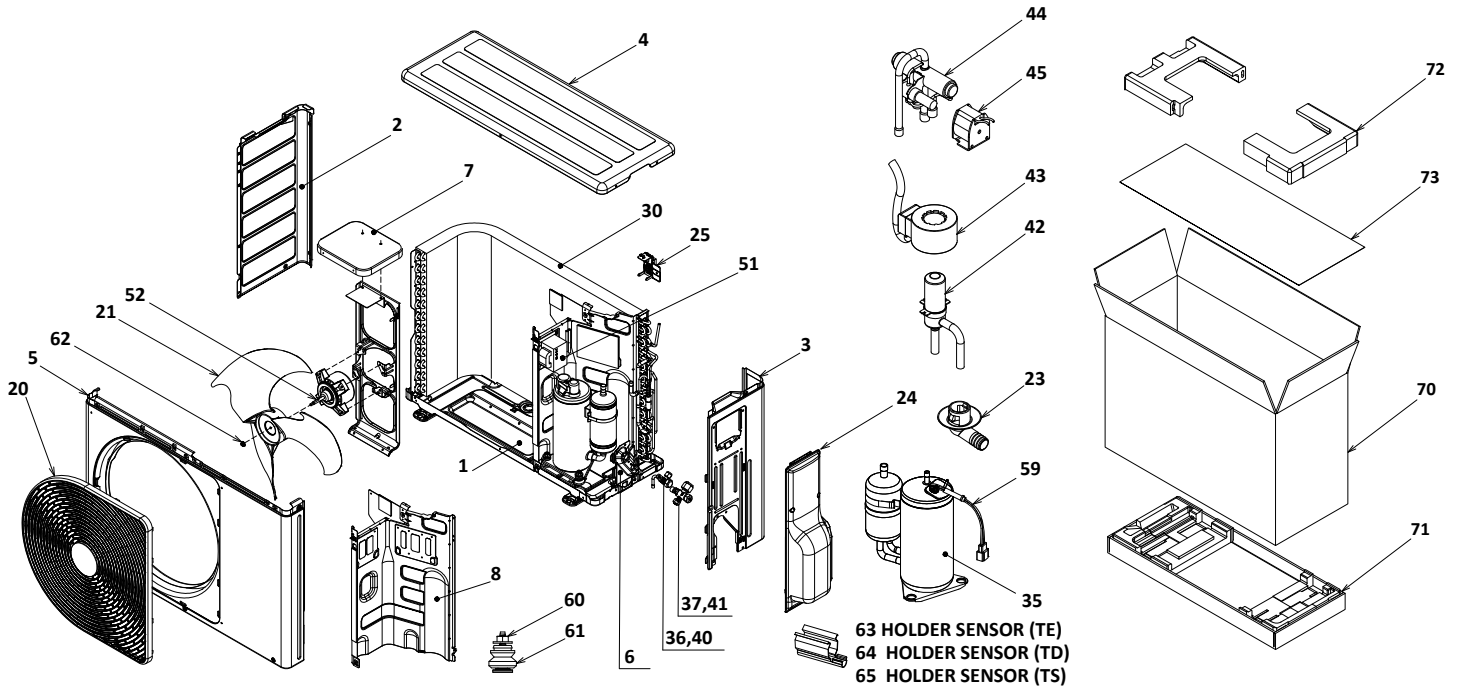
Location No.	Part No.	Description	Location No.	Part No.	Description
201	43T00758	FRONT PANEL ASSY (FOR RAS-B22J2KVRG-E)	218	43T39384	MOTOR COVER (FOR RAS-B24J2KVRG-E)
201	43T00759	FRONT PANEL ASSY (FOR RAS-B24J2KVRG-E)	219	43T39381	MOTOR BAND BACK
202	43T00715	CAP SCREW	220	43T39382	MOTOR BAND FRONT
203	43T09567	GRILLE OF AIR INLET ASSY	221	43T44665	REFRIGERATION CYCLE ASSY (FOR RAS-B22J2KVRG-E)
204	43T80351	AIR FILTER	221	43T44666	REFRIGERATION CYCLE ASSY (FOR RAS-B24J2KVRG-E)
205	43T03405	BACK BODY ASSY	222	43T19333	HOLDER, SENSOR
206	43T22353	VERTICAL LOUVER ASSY	223	43T49045	PIPE, SHIELD
207	43T03406	COVER MOTOR VT	224	43T49043	HOLDER, PIPE
208	43T21434	STEPPING-MOTOR	225	43T82008	PLATE, INSTALLATION
209	43T72348	DRAIN PAN ASSY	226	43T62360	TERMINAL COVER ASSY
210	43T22354	HORIZONTAL LOUVER	227	43T66391	WIRELESS REMOCO
211	43T70321	DRAIN HOSE	228	43T83305	HOLDER, REMOTE CONTROL
212	43T79322	DRAIN CAP	229	43T60481	CORD MOTOR LOUVER RIGHT
213	43T21478	MOTOR; STEPPING	230	43T60482	CORD MOTOR LOUVER LEFT
214	43T21471	MOTOR FAN	232	43T91379	PACKING SLEEVE
215	43T20357	CROSS FLOW FAN ASSY	233	43T91377	PACKING CUSHION RIGHT
216	43T39385	BASE BEARING	234	43T91378	PACKING CUSHION LEFT
217	43T22312	BEARING ASSY, MOLD	235	43T80355	HIGH VOLTAGE UNIT ASSY
218	43T39383	MOTOR COVER (FOR RAS-B22J2KVRG-E)	236	43T80354	IONIZER UNIT COVER

13-2. Indoor Unit (Part-E)



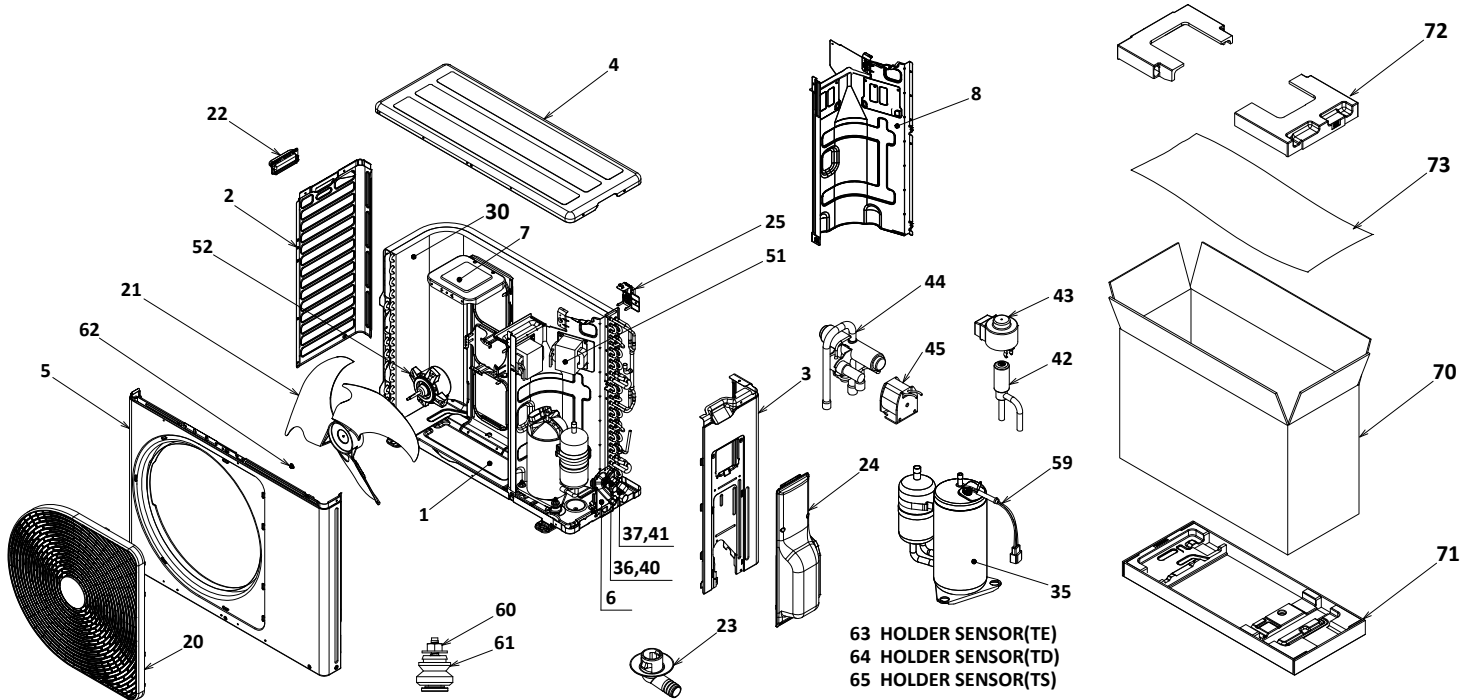
Location No.	Part No.	Description	Location No.	Part No.	Description
401	43T50324	SENSOR; HEAT EXCHANGER	406	43T6W566	PC BOARD (FOR RAS-B22J2KVRG-E)
402	43T6V673	TERMINAL(5P-TF)	406	43T6W567	PC BOARD (FOR RAS-B24J2KVRG-E)
403	43T6V674	TEMPERATURE SENSOR	407	43T60502	HOUSING-WiFi
404	43T62340	CORD-CLAMP	408	43T60508	HOUSING-PUR-A
405	43T6W443	PC BOARD ASSY:WRS-LED	409	43T50306	TEMPERATURE SENSOR

13-3. Outdoor Unit
RAS-22J2AVRG-E



Location No.	Part No.	Description	Location No.	Part No.	Description
1	43T42327	BASE PLATE ASSEMBLY	41	43T46461	VALVE; PACKED 12.7 DIA
2	43T00459	LEFT CABINET	42	43T46469	BODY PMV
3	43T00690	RIGHT CABINET ASSEMBLY	43	43T63360	COIL PMV
4	43T00452	UPPER CABINET	44	43T46367	4 WAY VALVE
5	43T00688	FRONT CABINET ASSEMBLY	45	43T63327	COIL-4WAY
6	43T00448	FIXING PLATE VALVE	51	43T58309	REACTOR
7	43T39393	MOTOR BASE	52	43T21460	FAN MOTOR
8	43T04342	PARTITION ASSEMBLY	59	43T60494	LEAD ASSY, COMPRESSOR
20	43T19364	FAN GUARD	60	43T97001	NUT
21	43T20319	PROPELLER FAN	61	43T49327	CUSHION,RUBBER
23	43T79305	DRAIN NIPPLE	62	43T47001	NUT FLANGE
24	43T00691	PACKED VALVE COVER ASSEMBLY	63	43T63318	HOLDER SENSOR
25	43T63319	HOLDER,SENSOR	64	43T63317	HOLDER,SENSOR
30	43T43562	CONDENSER ASSEMBLY	65	43T63316	HOLDER,SENSOR
35	43T41522	COMPRESSOR	70	43T91343	CARTON BOX
36	43T47403	BONNET, 6.35 DIA	71	43T91342	FIBERBOARD UNDER ASSEMBLY
37	43T47405	BONNET, 12.7 DIA	72	43T91314	CUSHION-PKG-UPR
40	43T46435	VALVE; PACKED 6.35 DIA	73	43T91301	PE SHEET

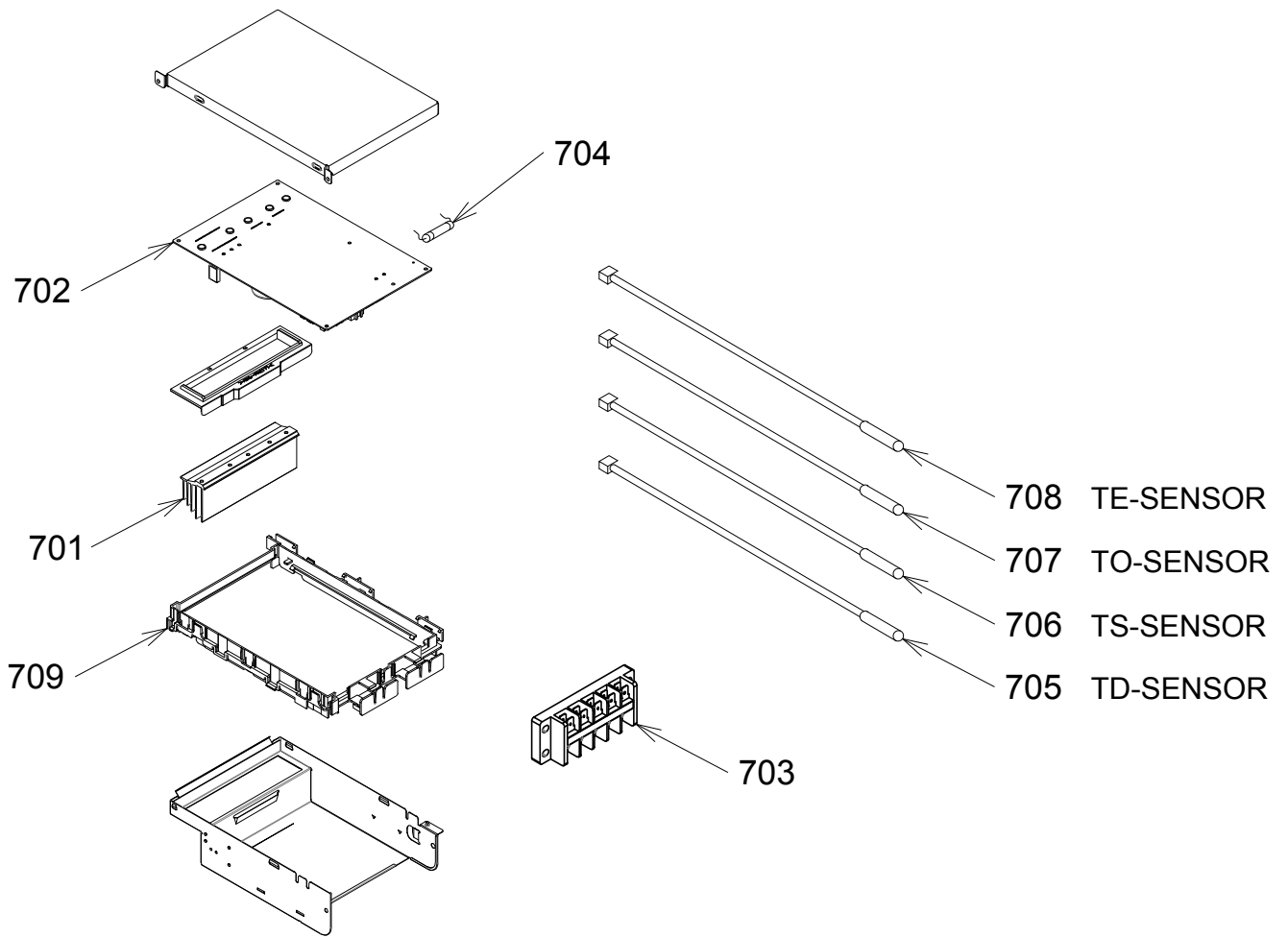
13-4. Outdoor Unit
RAS-24J2AVRG-E



Location No.	Part No.	Description	Location No.	Part No.	Description
1	43T42345	BASE PLATE ASSEMBLY	41	43T46461	VALVE; PACKED 12.7 DIA
2	43T00560	LEFT CABINET	42	43T46469	BODY PMV
3	43T00719	RIGHT SIDE CABINET ASSEMBLY	43	43T63360	COIL PMV
4	43T00561	UPPER CABINET	44	43T46367	4 WAY VALVE
5	43T00718	FRONT CABINET	45	43T63327	COIL-4WAY
6	43T00448	FIXING PLATE VALVE	51	43T58336	REACTOR
7	43T39374	MOTOR BASE	52	4302C103	MOTOR-FAN
8	43T04343	PARTITION ASSEMBLY	59	43T60496	LEAD ASSY, COMPRESSOR
20	43T19371	FAN GUARD	60	43T97001	NUT
21	43T20331	PROPELLER FAN	61	43T49327	CUSHION,RUBBER
22	43T19350	HANDLE	62	43T47001	NUT FLANGE
23	43T79305	DRAIN NIPPLE	63	43T63318	HOLDER SENSOR
24	43T00691	PACKED VALVE COVER ASSEMBLY	64	43T63317	HOLDER,SENSOR
25	43T63319	HOLDER,SENSOR	65	43T63316	HOLDER,SENSOR
30	43T43563	CONDENSER ASSEMBLY	70	43T91336	CARTON-BOX
35	43T41523	COMPRESSOR	71	43T91338	FIBERBOARD UNDER ASSEMBLY
36	43T47403	BONNET, 6.35 DIA	72	43T91337	CUSHION PACKING UPPER
37	43T47405	BONNET, 12.7 DIA	73	43T91301	PE SHEET
40	43T46435	VALVE; PACKED 6.35 DIA			

13-5. Outdoor Unit (Part-E)

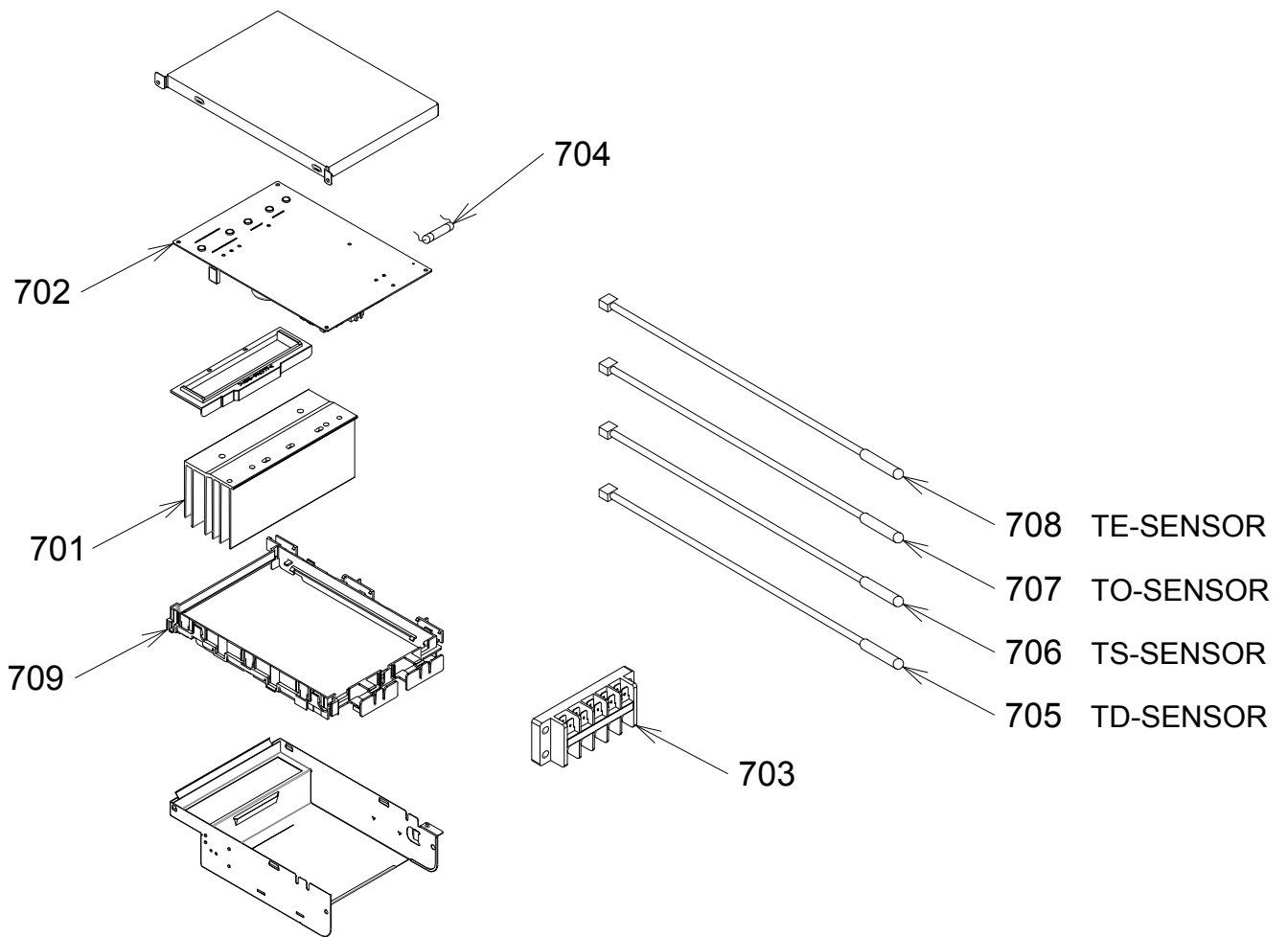
RAS-22J2AVRG-E



Location No.	Part No.	Description	Location No.	Part No.	Description
701	43T62351	HEATSINK	706	43T50336	TEMPERATURE SENSOR
702	43T6W558	PC BOARD	707	43T50370	TEMPERATURE SENSOR
703	43T60392	TERMINAL-5P	708	43T50371	TEMPERATURE SENSOR
704	43T60326	FUSE	709	43T62313	PC PLATE BASE
705	43T50369	TEMPERATURE SENSOR			

13-6. Outdoor Unit (Part-E)

RAS-24J2AVRG-E



Location No.	Part No.	Description	Location No.	Part No.	Description
701	43T67310	HEATSINK	706	43T50336	TEMPERATURE SENSOR
702	43T6W559	PC BOARD	707	43T50370	TEMPERATURE SENSOR
703	43T60392	TERMINAL-5P	708	43T50371	TEMPERATURE SENSOR
704	43T60326	FUSE	709	43T62313	PC PLATE BASE
705	43T50369	TEMPERATURE SENSOR			